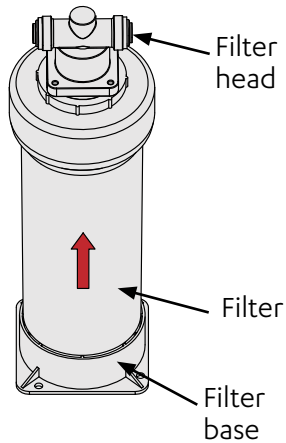


Filter insert replacement instructions

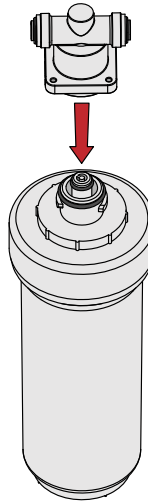
1. Turn off supplies

Turn off mains water supply. Open tap to de-pressurise the system. Lift filter & filter head out of the filter base.



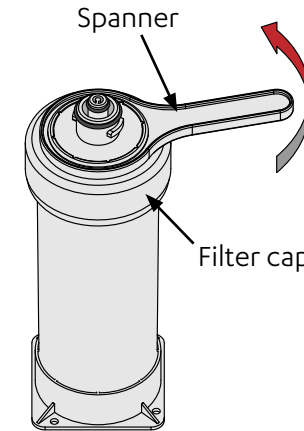
3. Remove filter from filter head

Pull the filter down, away from the filter head.



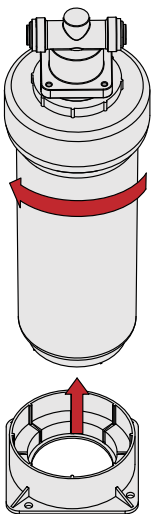
5. Undo filter cap

Fit the spanner (supplied) onto the locating ring, on the filter cap assembly. Gripping the filter, undo the filter cap anticlockwise with the spanner.



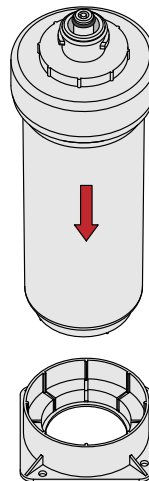
2. Disconnect filter head

Grip the filter head. Twist filter clockwise until it stops.



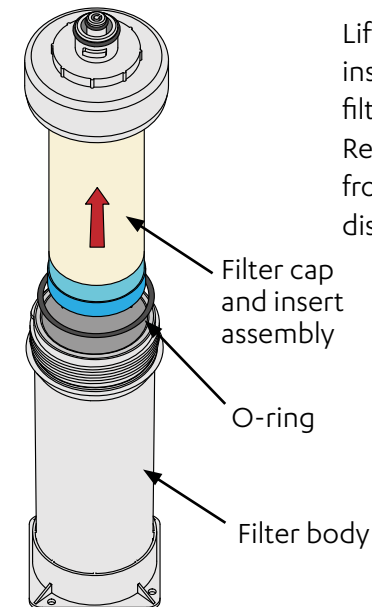
4. Seat filter in base

Seat the filter in the filter base. (Correctly installed, the filter base should be fastened to the base of the cupboard).

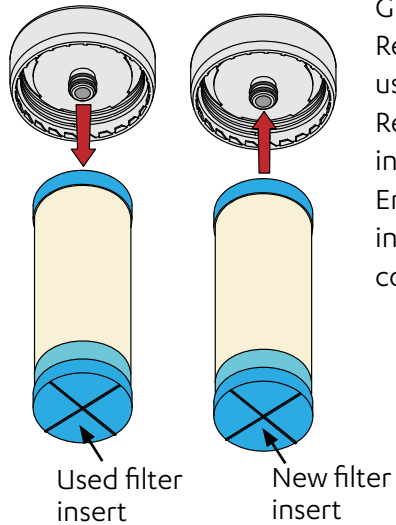


6. Remove filter cap & o-ring

Lift out the filter cap and insert assembly from the filter body. Remove the o-ring from the filter body & discard.

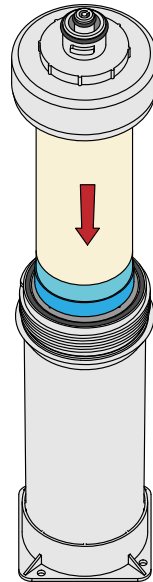


7. Replace the filter insert



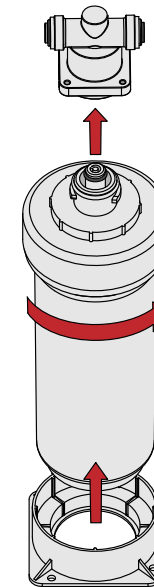
Gripping the filter cap. Remove and discard the used filter insert. Replace with new filter insert. Ensure that the o-rings in the filter cap are correctly seated.

9. Refit the cap & insert



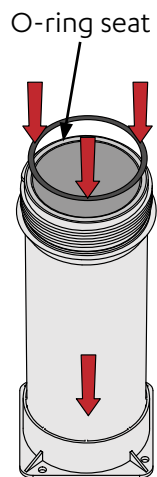
With the o-ring in position, fit the filter cap and insert assembly back into the filter body.

11. Re-connect filter to head



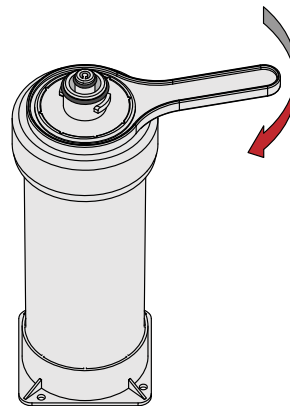
Lift the filter out of its base. Re-connect the filter onto the filter head. Push the filter up into the head and turn anticlockwise until it stops.

8. Replace the o-ring



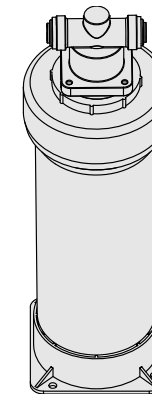
Re-seat the filter body into its base. Ensure that the replacement o-ring, and o-ring seat are clean, and free from dust and particles. Press the new o-ring uniformly into its seat at the top of the filter body.

10. Tighten the filter cap



Gripping the filter body, screw filter cap and insert assembly back onto the filter body using the supplied spanner.

12. Flush filter



With dispensing tap still turned on, turn on the mains water supply.

Flush for 60 seconds.

Turn off dispensing tap for 30 seconds. Turn on dispensing tap, and dispense water for 60 seconds.

Check for leaks. System is ready to use.