

# Focetti

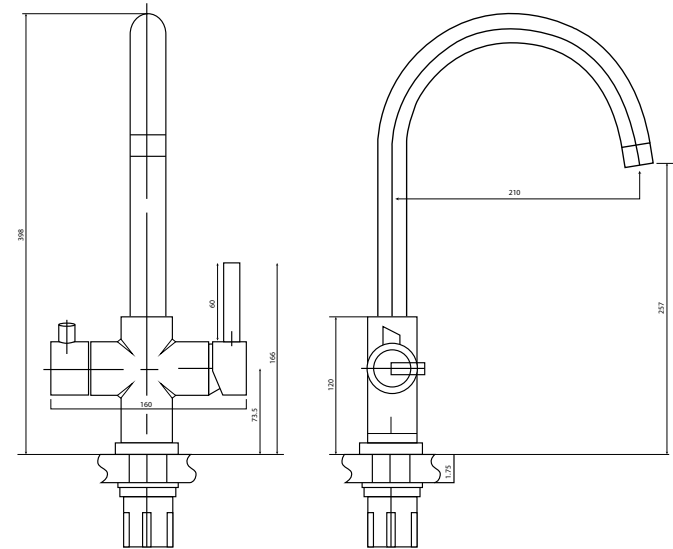
## Technical Specification

### 98°C Boiling Tank

| Element                | Specification                |
|------------------------|------------------------------|
| Boiler Height (mm)     | 315                          |
| Boiler Width (mm)      | 210                          |
| Boiler Depth (mm)      | 210                          |
| Boiler Weight (Kg)     | 5.8                          |
| Boiler Capacity (L)    | 2.4                          |
| Temperature Control    | 75°C - 98°C                  |
| Construction Material  | Stainless Steel / Glass      |
| Heating Up Time        | 20 Minutes                   |
| Rated Input (kw)       | 1.5                          |
| Standby Power (W)      | 2.2                          |
| Rated Voltage (V)      | 220 - 240                    |
| Operating Pressure     | 1.5 - 5.0 Bar                |
| Plug Type              | Fused 13A 3 Pin Plug         |
| Power Cord Length (mm) | 910                          |
| Function Type          | Touch Screen Digital Control |

### Carbon Purity Filter

| Element              | Specification                     |
|----------------------|-----------------------------------|
| Replacement Cycle    | 6 Months                          |
| PE Tube Length (mm)  | 1000                              |
| Fittings Included    | Yes                               |
| Rated Water Capacity | 3.5 l/m                           |
| Connection 1         | 1/2" BSP Male & PE Tube Adaptor   |
| Connection 2         | 1/2" BSP Female & PE Tube Adaptor |



### Focetti Boiling Water Tap

| Element                   | Specification           |
|---------------------------|-------------------------|
| Range                     | Focetti                 |
| Colour Finish Options     | 4                       |
| Tap Height (mm)           | 398                     |
| Spout Projection (mm)     | 210                     |
| Product Weight (Kg)       | 2.33                    |
| Construction Material     | Brass                   |
| Installation Type         | Deck Mounted            |
| Flow Rate                 | 2 Litres Per Minute     |
| Child Safety              | Spring Lock Mechanism   |
| Cartridge Type            | 35mm Cartridge          |
| Thermostat Cartridge Type | 18mm Cartridge          |
| Flow Type                 | Tri Flow                |
| Handle Type               | Lever                   |
| Swivel Spout              | Yes                     |
| Tap Tails Included        | Yes                     |
| Inlet Connection          | 1/2" BSP Flexible Tails |
| Worktop Hole              | Ø 35mm                  |